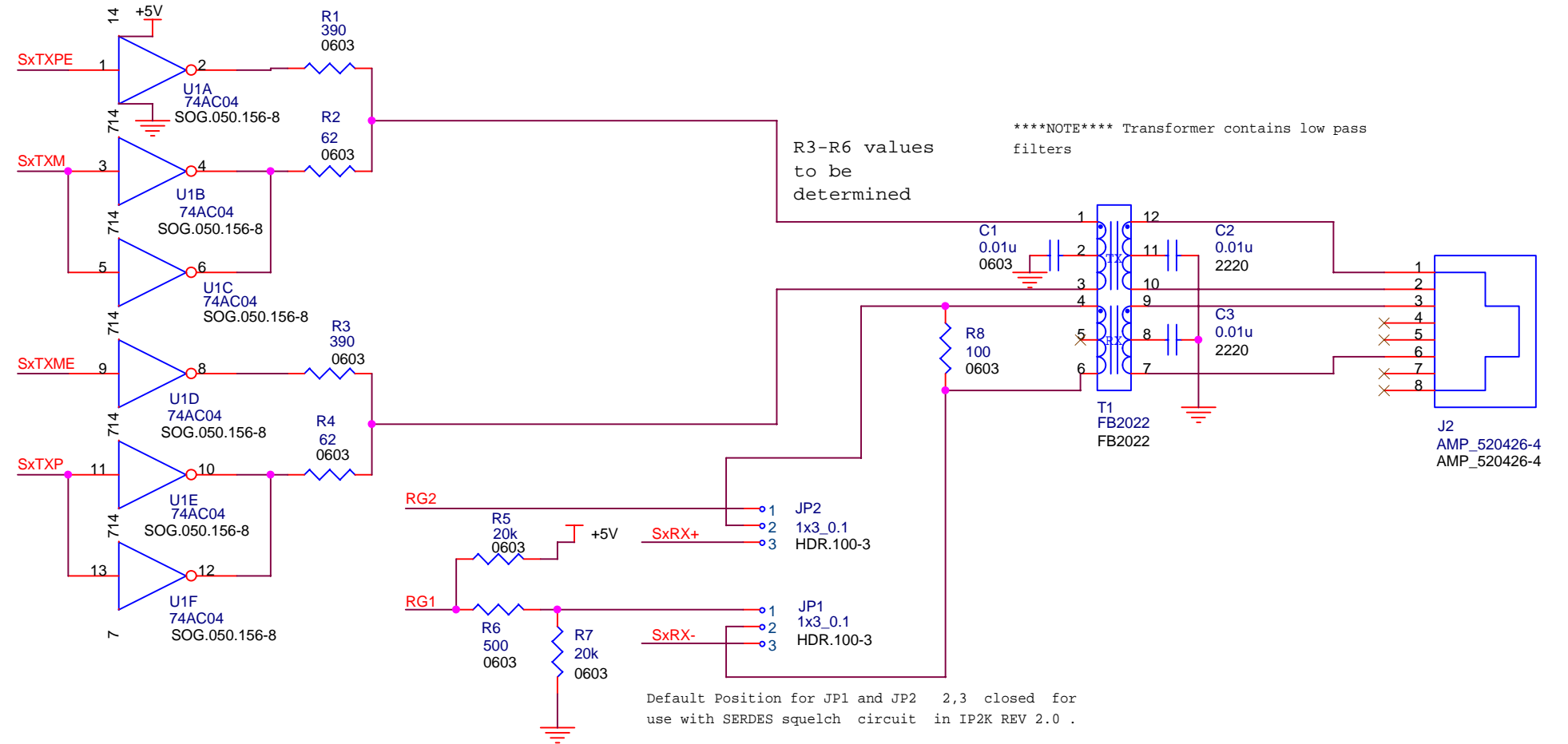


\*\*\*\*NOTE\*\*\*\* It is possible that U2 may be changed from a single comparator IC to a dual comparator IC.



**Ubicom**

1330 Charleston Rd  
Mountain View, CA 94043

Connect Everyday Things in Internet Time

www.ubicom.com

S:\INTRANET\MARKETING\APPLICATIONS\IP2022\BOARDS\NATIVE ETHERNET DAUGHTER BOARD REV3\NATIVE ETHERNET REV 3.DSN

Title: 10Base-T Ethernet Daughterboard

Last Modified: Thursday, July 19, 2001

Revision: 3.0

Drawn By: Peter McCarthy

Size: B

Sheet: 1

of 1