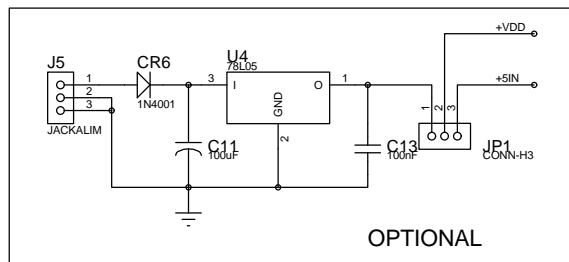
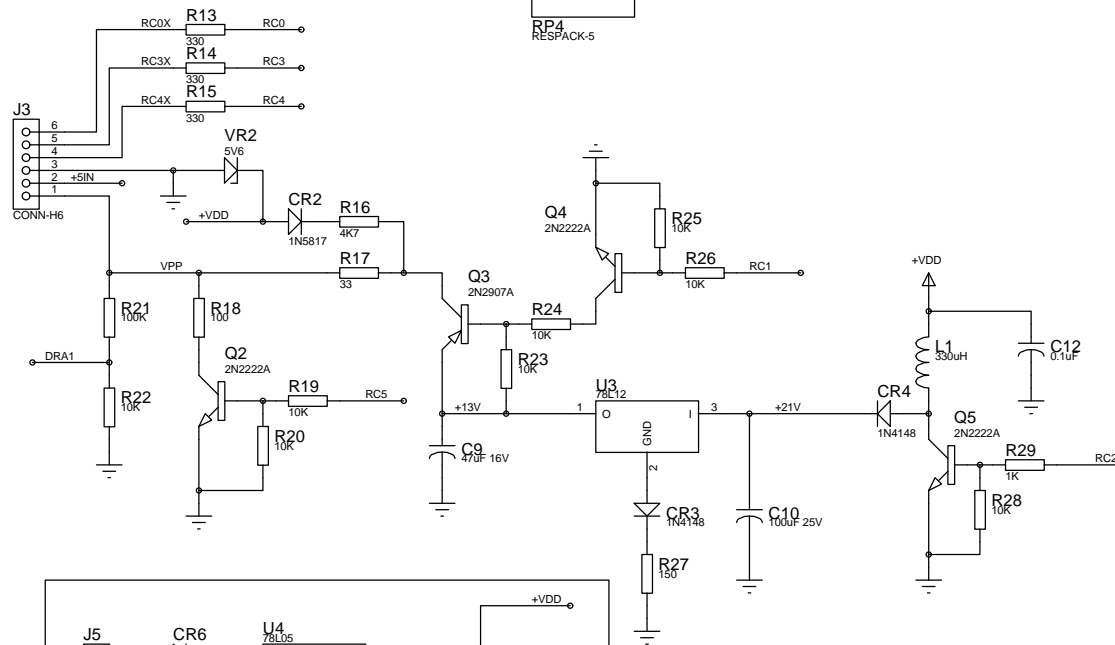
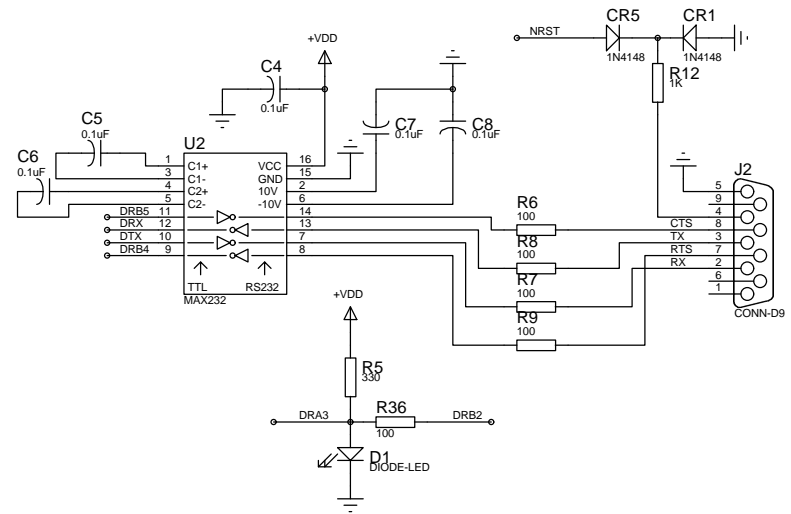
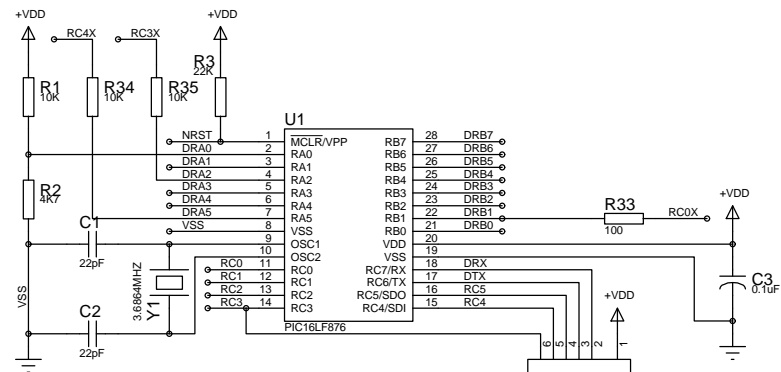


ICD MODULE 2
 TORNET P.
 01/5001



ICD MODULE V1
 MPLAB COMPATIBILITY
 TOUZET Patrick
 01/2001 www.multimania.com/silicium31

ICD V1
 BILL OF MATERIALS (Default)
 =====
 Partslist generated OK.

QTY	PART-REFS	VALUE
-----	-----------	-------

Resistors

11	R1,R19,R20,R22,R23, R24,R25,R26,R28, R34,R35	10K
2	R2,R16	4K7
1	R3	22K
4	R5,R13,R14,R15	330
7	R6,R7,R8,R9,R18, R33,R36	100
2	R12,R29	1K
1	R17	33
1	R21	100K
1	R27	150

Capacitors

2	C1,C2	22pF
7	C3,C4,C5,C6,C7,C8, C12	0.1uF
1	C9	47uF 16V
1	C10	100uF 25V
1	C11	100uF
1	C13	100nF

Integrated Circuits

1	U1	PIC16LF876
1	U2	MAX232
1	U3	78L12
1	U4	78L05

Transistors

3	Q2,Q4,Q5	2N2222A
1	Q3	2N2907A

Diodes

1	D1	DIODE-LED
---	----	-----------

Miscellaneous

4	CR1,CR3,CR4,CR5	1N4148
1	CR2	1N5817
1	CR6	1N4001
1	J2	CONN-D9
1	J3	6P6C
1	J5	JACKALIM
1	JP1	2x2.54
1	L1	330uH
1	RP4	RESPACK-5
1	VR2	5V6
1	Y1	3.6864MHZ

