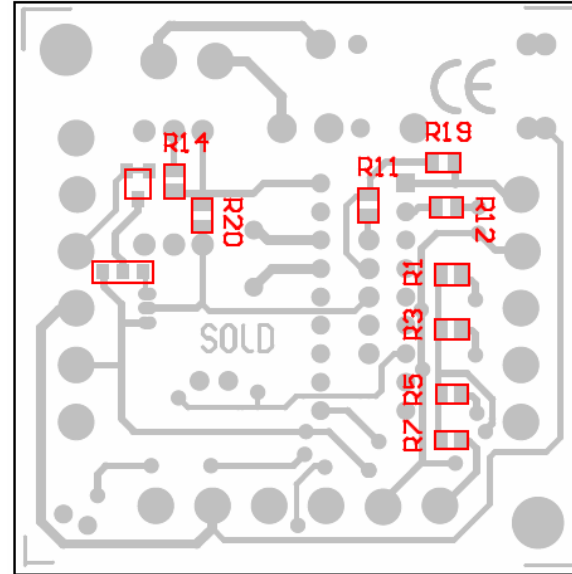
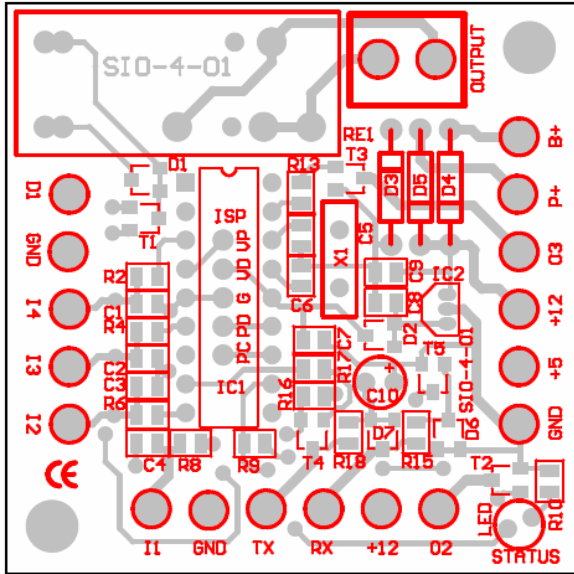


Assembly instruction for GSM-SIO4-01



Part list					
R1	10k - all SMD 0805	R17	10k	D1	BAT54
R2	100k	R18	4k7	D2	BAT54
R3	10k	R19	10k -	D3	4V7 zener diode - leaded
R4	100k	R20	100k -	D4	1N4005 - leaded
R5	10k	C1	100n - SMD 0805	D5	1N4005 - leaded
R6	100k	C2	100n - SMD 0805	D6	BAT54
R7	10k	C3	100n - SMD 0805	D7	BAT54
R8	100k	C4	100 - SMD 0805	D8	yellow 3 mm LED - leaded
R9	1k	C5	22p - SMD 0805	D9	BAT54 (optional - for O3 output)
R10	330	C6	22p - SMD 0805	T1	small signal NPN in SOT-23
R11	33k	C7	22n - SMD 0805	T2	small signal NPN in SOT-23
R12	1k	C8	100n - SMD 0805	T3	small signal NPN 600mA in SOT-23
R13	1k	C9	1u - SMD 0805	T4	small signal PNP in SOT-23
R14	8k2	C10	10u - leaded	T5	small signal NPN in SOT-23
R15	10k				
R16	4k7				
				X1	4 MHZ crystal HC-49U
				IC1	16F628A/16F648A - DIP
				IC2	78L05 - TO-92
				RE1	Omron G2RL-1-12V /G5S-1-12V
				Connector:	5x 3-pin connector, pin space 5 mm 2x 2 pin connector, pin space 5 mm
				PCB	SIO-4-01