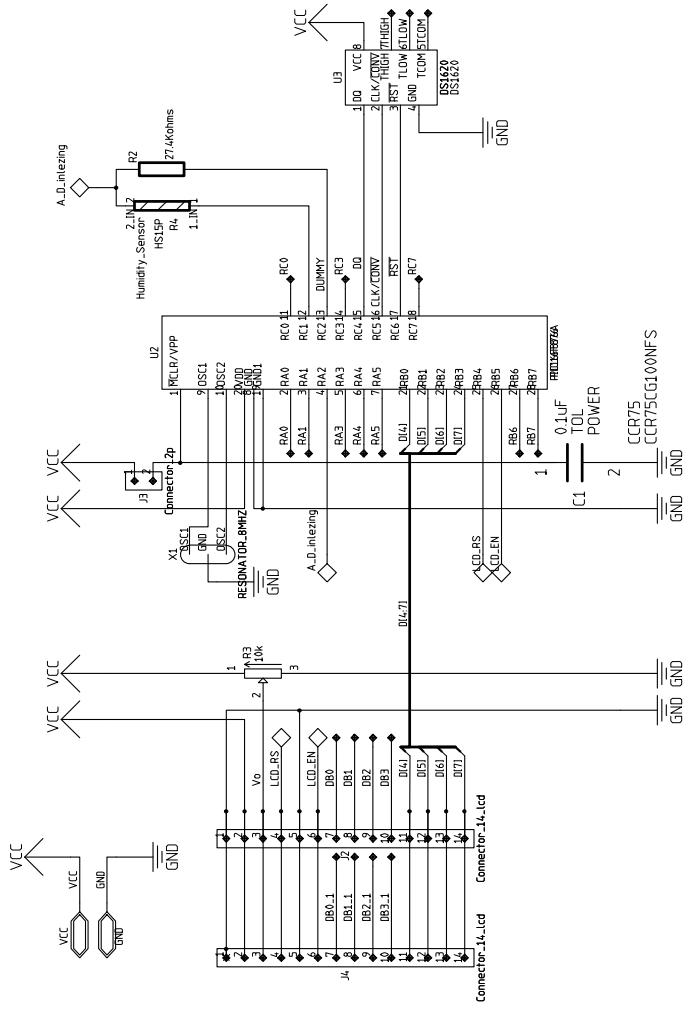


REVISIONS			
REV	DESCRIPTION	DATE	APPROVED



REVISIONS			
REV	DESCRIPTION	DATE	APPROVED

CONTRACT NO.		APPROVALS		DATE	
		DRAWN			
		CHECKED			
		ISSUED			
		SIZE		FSCM NO.	
		SCALE		DWG. NO.	
		SHEET		REV	